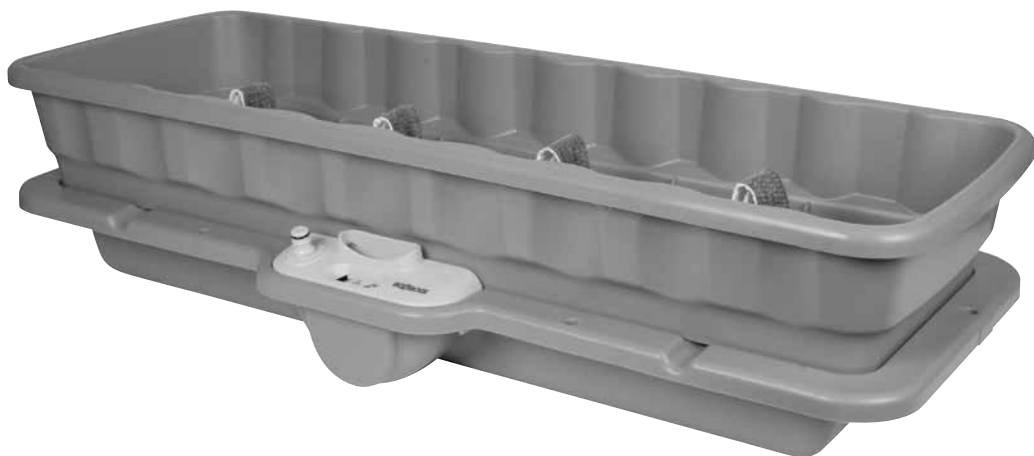


# HOZELOCK

2811

## Flower & Vegetable Waterer

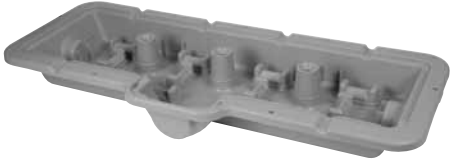
A diagram illustrating customer service options: a person with a question mark, a computer monitor displaying 'www.hozelock.com', and a person holding a phone. Arrows indicate the flow of information between these elements.

HOZELOCK

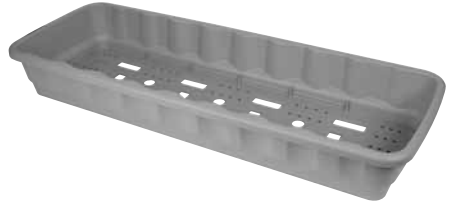
HOZELOCK Ltd.  
Midpoint Park, Birmingham,  
B76 1AB, England  
Tel: +44 (0) 121 313 1122

[www.hozelock.com](http://www.hozelock.com)  
33895-002

# Contents



A x 1



B x 1



C x 4



D x 4

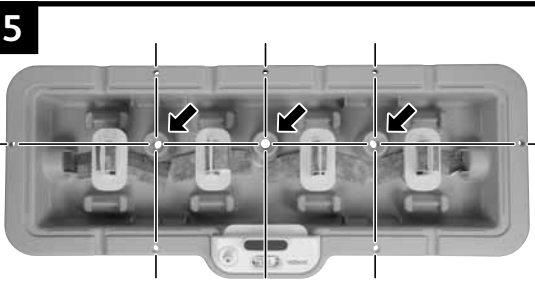
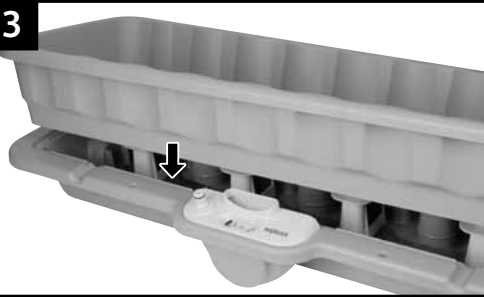
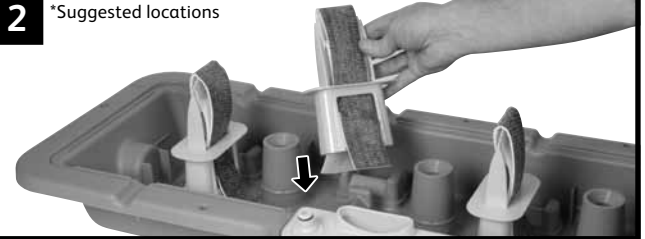


E x 1



F x 1

# Assembly



## Contents

- |                      |                            |
|----------------------|----------------------------|
| <b>A</b> Reservoir   | <b>B</b> Planter           |
| <b>C</b> Spikes x 4  | <b>D</b> Wick Material x 4 |
| <b>E</b> Filler Door | <b>F</b> Breather Fabric   |

\*Throw away the sachet of desiccant (silica gel) included with the packaging.

## Assembly and User Guide

- Thread wick material through spikes (Repeat x 4) (Fig. 1)
- Push spikes into position on the reservoir (Fig. 2). \*There are 12 possible locations.
- Position your reservoir in a location that is stable, flat and suitable for your plants. (Note: due to the heavy weight it should not be moved once the set up is complete).
- Place the planter on to the reservoir. (Fig. 3)
- Lay the breather fabric in the planter (Fig. 4) and at the same time push the spikes through the slits in the fabric so that it is flat on the bottom. Ensure that all holes on the bottom of the planter are covered by the fabric.
- Fill with a suitable compost to just below the lip of the planter.
- If your plants require support, it is a good idea to fit canes now (Fig. 5)
- Holes on the edge of the reservoir line up to show the position of the cane support holes.

**Tip:** Use the thin end of the cane to help locate hole, then turn the cane back round.

**Important:** Your cane should be no bigger than 15mm in diameter.

## Planting Tips

Plan where you are going to position your planter so that the plants have enough space to grow.

Press down on compost once planting is completed. Compost needs to be touching the wick to work properly.

Lightly water plants from above after planting to help give the plants a kick start and to settle the compost for the wick system.

Most plants can be grown in the Flower & Vegetable Waterer, including;

- |              |                |
|--------------|----------------|
| • Tomatoes   | • Strawberries |
| • Courgettes | • Lettuce      |
| • Herbs      | • Runner beans |
| • Peas       | • Flowers      |
| • Cucumber   | • Cabbage      |
| • Spinach    |                |

For more growing hints & tips visit [www.hozelock.com](http://www.hozelock.com)

## Filling the reservoir

The reservoir holds 15 litres of water and can be filled either with a watering can through the window on the filler door or with a hose pipe using a connector. The water level indicator wheel will move round as it is being filled. The reservoir is full when the Dial shows Max. (Fig. 6).

max

### When do I need to refill?

The water can be topped up at any time but should always be filled up again once you can see the tap and water drop on the wheel. (Fig. 6)



### How often do I refill?

Please refer to the guide below for typical refilling times.

Typical refilling times	
<b>3 x 9cm New Plants</b> (Tomatoes, cucumbers, etc.)	<b>14 Days</b>
<b>3 x 50cm Tall Plants</b> (Tomatoes, cucumbers, etc.)	<b>7 Days</b>
<b>3 x 150cm Tall Plants</b> (with ripening fruit)	<b>3 Days</b>

Please note the above watering times should only be used as a guide. Water consumption is dependent on where your Flower and Vegetable Waterer is set up, the temperature, type of plants and the maturity of your plants. Check the water indicator regularly.

## Feeding your plants

Liquid feed can be added directly into the reservoir or into the compost once it has been premixed with water according to manufactures instructions.

## End of the growing season

The grow bag must be lifted off the reservoir, removing the watering spikes complete with wick material. Wash all components thoroughly and allow to dry before storing indoors over winter. For best results, Hozelock recommends replacing the wick material with a new set each year. For spares and accessories, please visit [www.hozelockservice.com](http://www.hozelockservice.com)

## Contact

For product advice please contact:

Hozelock Consumer Services,  
Hozelock Ltd., Midpoint Park, Birmingham. B76 1AB.

Tel: 0121 313 1122

[www.hozelock.com](http://www.hozelock.com)

# **HOZELOCK**

Hozelock Ltd.  
Midpoint Park, Birmingham,  
B76 1AB. England  
Tel: +44 (0) 121 313 1122

**[www.hozelock.com](http://www.hozelock.com)**

33895-002